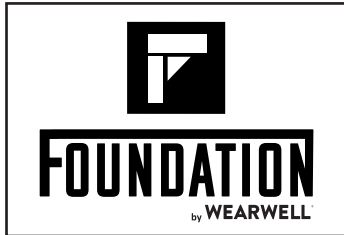


Thank you for purchasing FOUNDATION® Modular Platform(s)

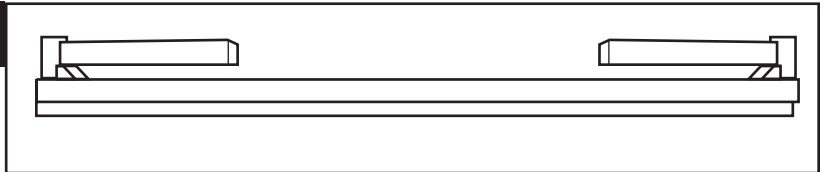
You've made a great choice. FOUNDATION® platforms are designed to be easily assembled on-site. Just follow these step-by-step instructions.

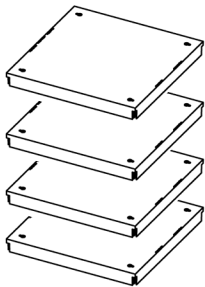
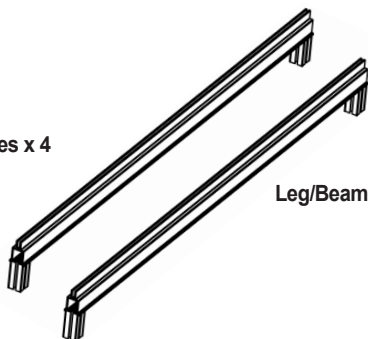
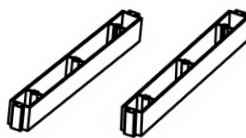
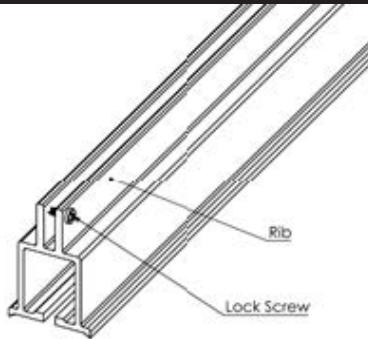


Before you start, review all of the instructions. Choose where you want to build your platform. Ensure the area is clean and free of debris then determine how you want to orient your platform. If there is a wall or fixed object the platform will be adjacent to, it is recommended that you start there to prevent problems later in the installation process. If your desired installation width has an EVEN number of tiles you will need to start with a 36" wide kit. If your desired installation width has an ODD number of tiles you will use 18" wide kits throughout.

BEFORE YOU START!

For shipping purposes, the leg cross braces are assembled to be flush with the leg/beam assembly. Separate the leg cross braces from the leg/beam assembly and reattach them as they are displayed below.



WHAT YOU'LL NEED	FOUNDATION PLATFORM 5"-12" (13 cm - 30 cm)	BEAM FEATURES
 <p>Tiles x 4</p>	 <p>Leg/Beam Assembly x 2</p>  <p>Leg Cross Brace x 2</p>	 <p>Rib</p> <p>Lock Screw</p>

AREA PREPARATION

CLEANING, TOOLS & EQUIPMENT



Prepare the Floor

- FOUNDATION is designed for interior use.
- We recommend you sweep the surface of dust and debris before beginning.

REQUIRED TOOLS & EQUIPMENT

- Rubber mallet
- Safety gloves
- Power drill and 3/16" (5 mm) concrete bit (If securing to floor)

REQUIRED

For safety and stability, parts are designed to fit tight. We suggest a mallet to tap parts into place and gloves are always good practice when handling metal parts.

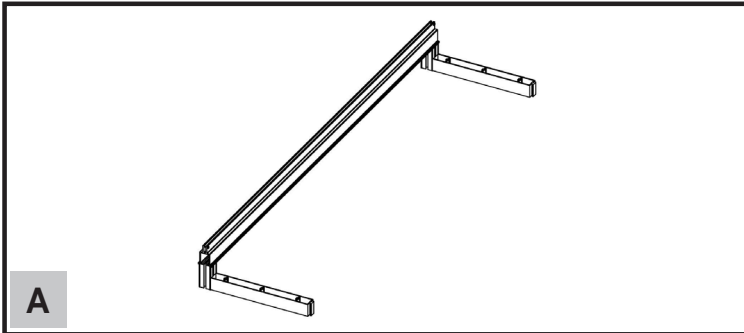
SEE THE
INSTALLATION VIDEO



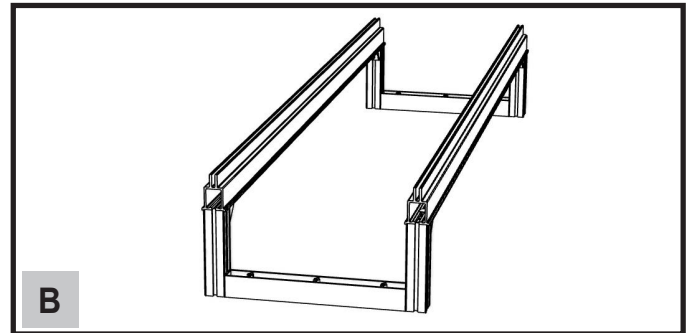
TO LEARN MORE

VISIT US AT WEARWELL.COM/FOUNDATION

STEP 1 LAY OUT THE PLATFORM FRAME

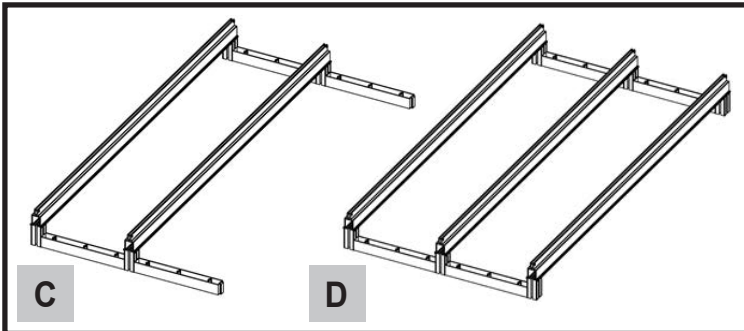


Slide the Leg Cross Braces into the slots in the legs as shown.

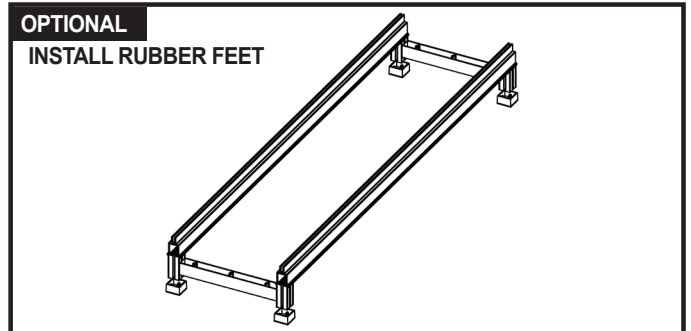


Install the second Leg/Beam Assembly.

EVEN NUMBER OF TILES WIDE - Assemble 36" WIDE KIT



Lift each leg and slide Leg Cross Brace into the slots on leg as shown. Then slide the last Leg/Beam Assembly onto the Leg Cross Braces.

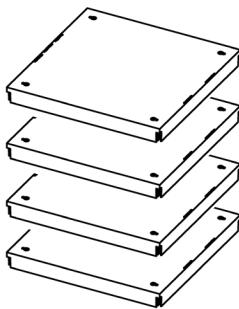


Slide the Leg Cross Brace up each leg. Lift each leg to slide on each rubber foot.

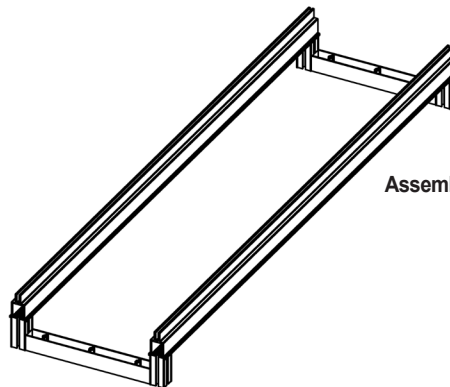
STEP 2 EXPANDING THE PLATFORM

EXPANDING THE PLATFORM WIDTH

YOU WILL NEED



Tiles x 4

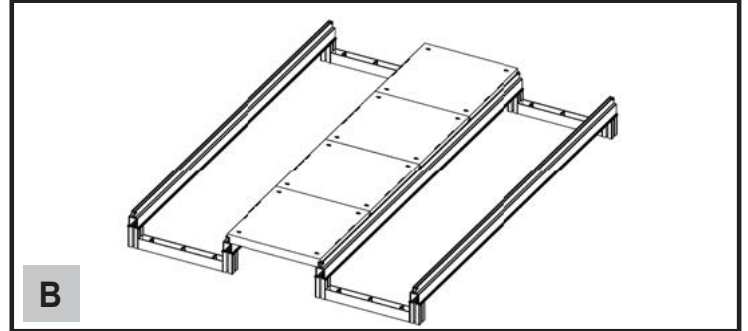
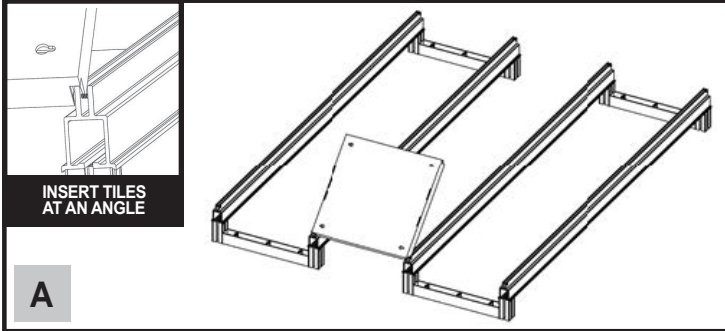


Assembled Frame of Platform Kit

TO LEARN MORE

VISIT US AT WEARWELL.COM/FOUNDATION

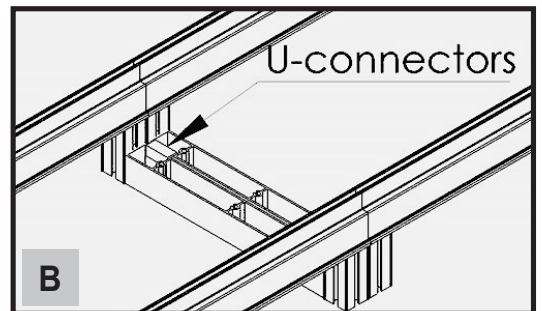
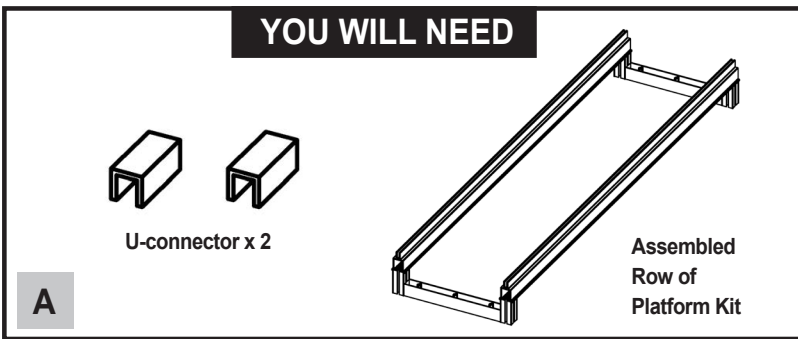
EXPANDING THE PLATFORM WIDTH



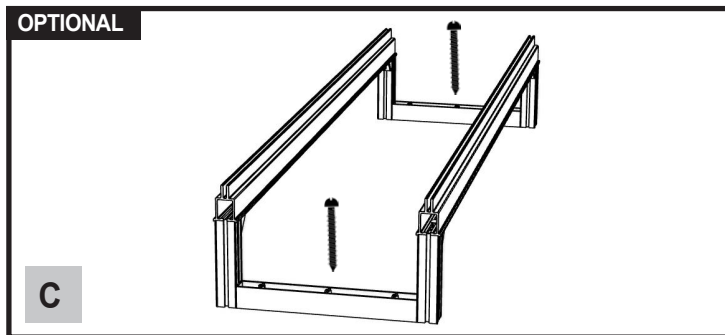
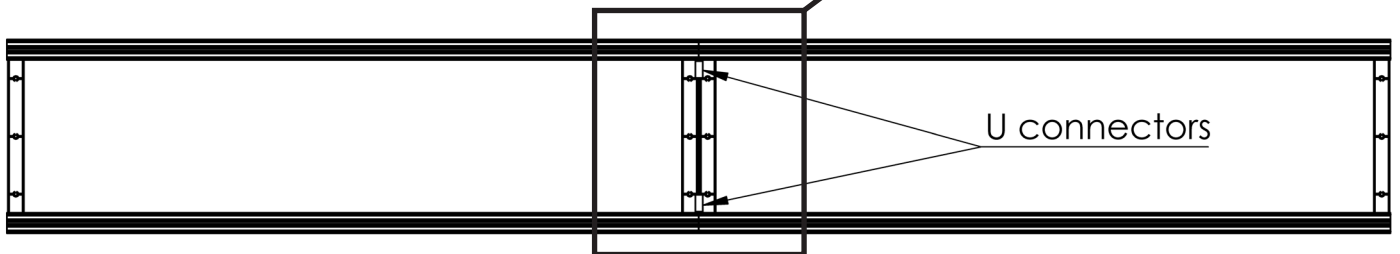
Lay out the platform frames so the sides are about 17" apart. Install the tiles between the frames at a 45° angle with the clip of the tile that is going in the beam pressing against the lock screw.

Install the rest of the tiles in the same manner. Tap the tiles tightly against one another using a rubber mallet. Repeat between any platform frames.

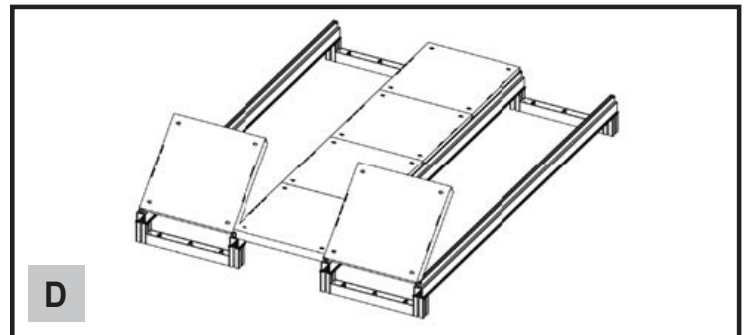
EXTENDING THE PLATFORM LENGTH



Move the frames where they need to be and position end to end. Slide on the U-connector clips.



OPTIONAL
Pick the hole/holes in the Leg Cross Brace that you want to use to secure the platform. With the 3/16" concrete drill bit in the drill, slide the bit through the hole until contact is made with the floor. Making sure that the bit is kept perpendicular to the floor drill to a depth of 2". Vacuum or sweep the debris before screwing the anchor into the hole. Do not over tighten.

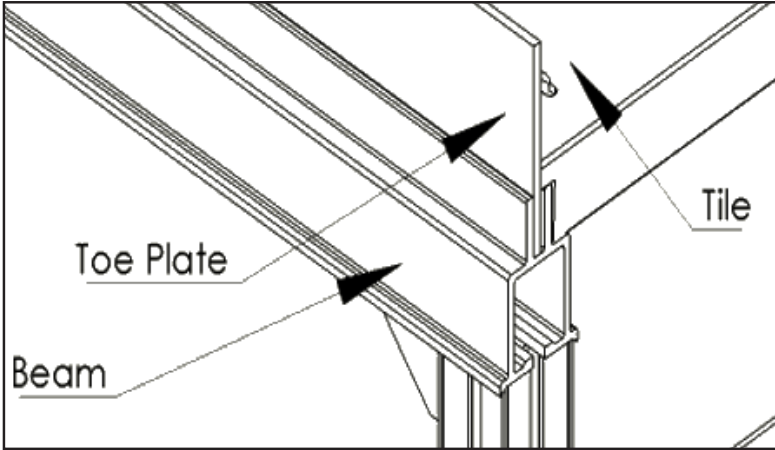


Complete installation of the tiles on the Platform Kits.

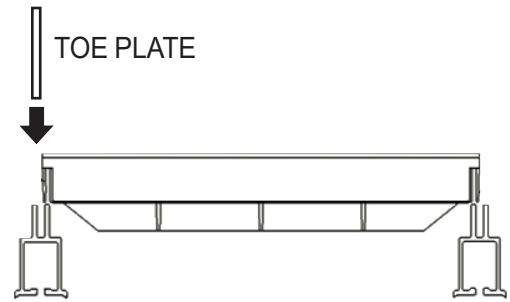
TO LEARN MORE VISIT US AT WEARWELL.COM/FOUNDATION

STEP 3 TOE PLATES

SIDE BEAM INSTALLATION

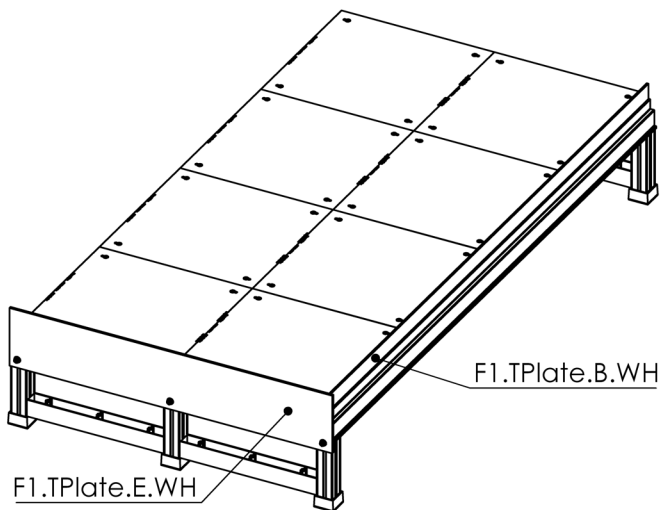
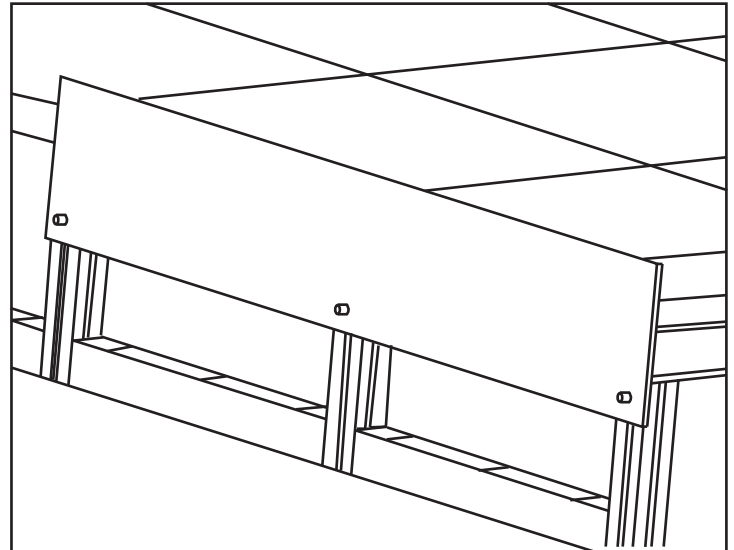


- Using a rubber mallet, insert the toe plate between the tile and the slot next to the tile.
- Ensure the toe plate side beam is secure along the length of the FOUNDATION platform.



END PLATE INSTALLATION

- Pick each leg up and slide the bolt into the slot.
- Starting at one end hold the toe plate, bolt and slide the bolt into the hole.
- Hand tighten the nut onto the bolt.
- Repeat with the remaining bolts.
- Slide toe plate up to the top and tighten bolts.



TO LEARN MORE

VISIT US AT WEARWELL.COM/FOUNDATION