

Thank you for purchasing FOUNDATION® Modular Platform(s)

You've made a great choice. FOUNDATION® platforms are designed to be easily assembled on-site. Just follow these step-by-step instructions.



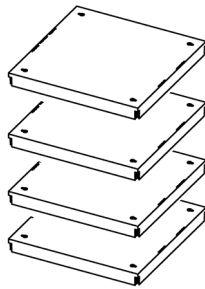
FOUNDATION
by WEARWELL

Before you start, review all of the instructions. Choose where you want to build your platform. Ensure the area is clean and free of debris then determine how you want to orient your platform.

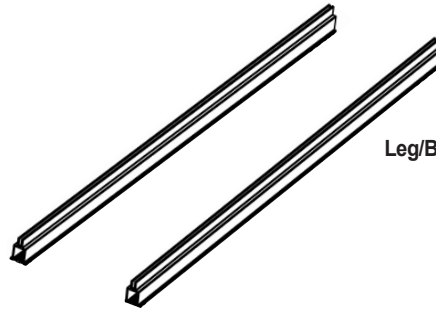
If there is a wall or fixed object the platform will be adjacent to, it is recommended that you start there to prevent problems later in the installation process.

WHAT YOU'LL NEED

FOUNDATION PLATFORM 4" (10 cm)



Tiles x 4



Leg/Beam Assembly x 2

PREPARATION

CLEANING, TOOLS & EQUIPMENT



PREPARE THE FLOOR

- FOUNDATION is designed for interior use.
- We recommend you sweep the surface of dust and debris before beginning.

REQUIRED TOOLS & EQUIPMENT

- Rubber mallet
- Safety gloves
- Power drill and 3/16" (5 mm) concrete bit (If securing to floor)

REQUIRED

For safety and stability, parts are designed to fit tight. We suggest a mallet to tap parts into place and gloves are always good practice when handling metal parts.

**SEE THE
INSTALLATION VIDEO**



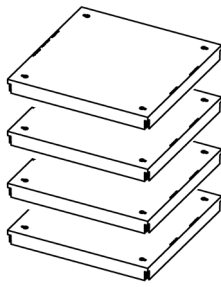
TO LEARN MORE

VISIT US AT WEARWELL.COM/FOUNDATION

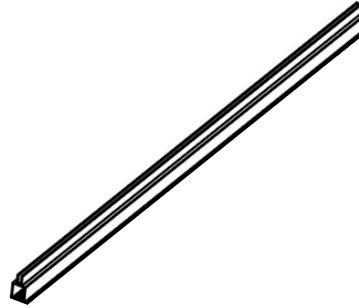
STEP 1 LAY OUT THE PLATFORM

EXTENDING THE PLATFORM WIDTH

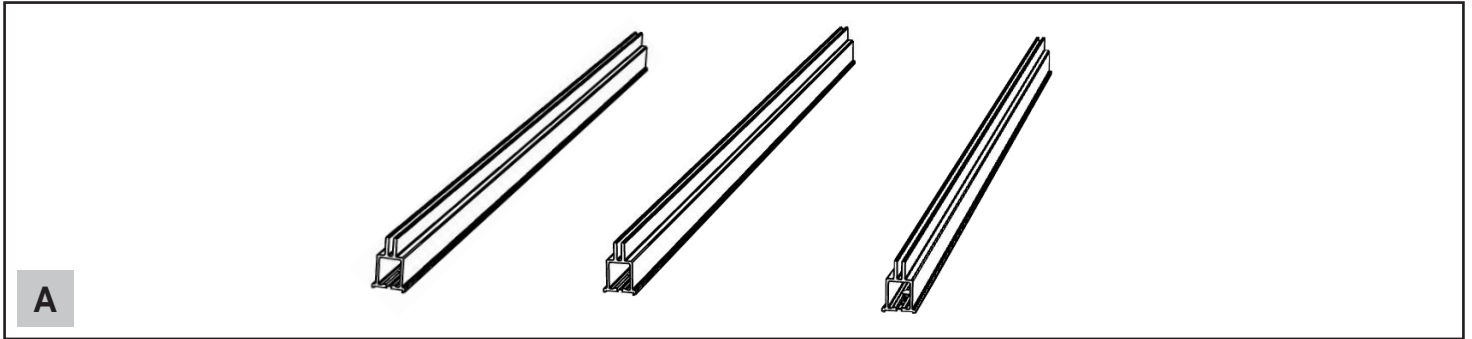
YOU WILL NEED



Tiles x 4



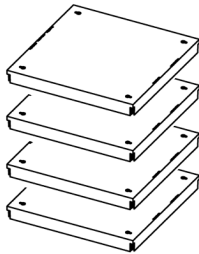
Leg/Beam x 1



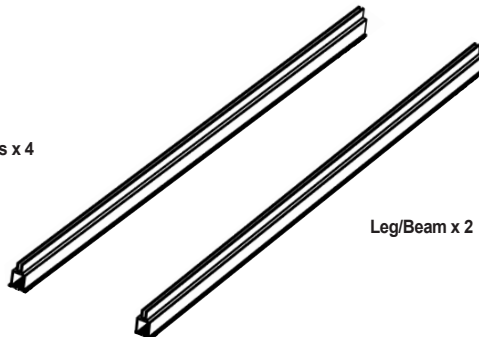
Align leg/beams roughly 18" apart.

EXTENDING THE PLATFORM LENGTH

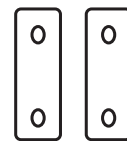
YOU WILL NEED



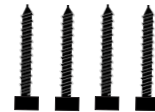
Tiles x 4



Leg/Beam x 2



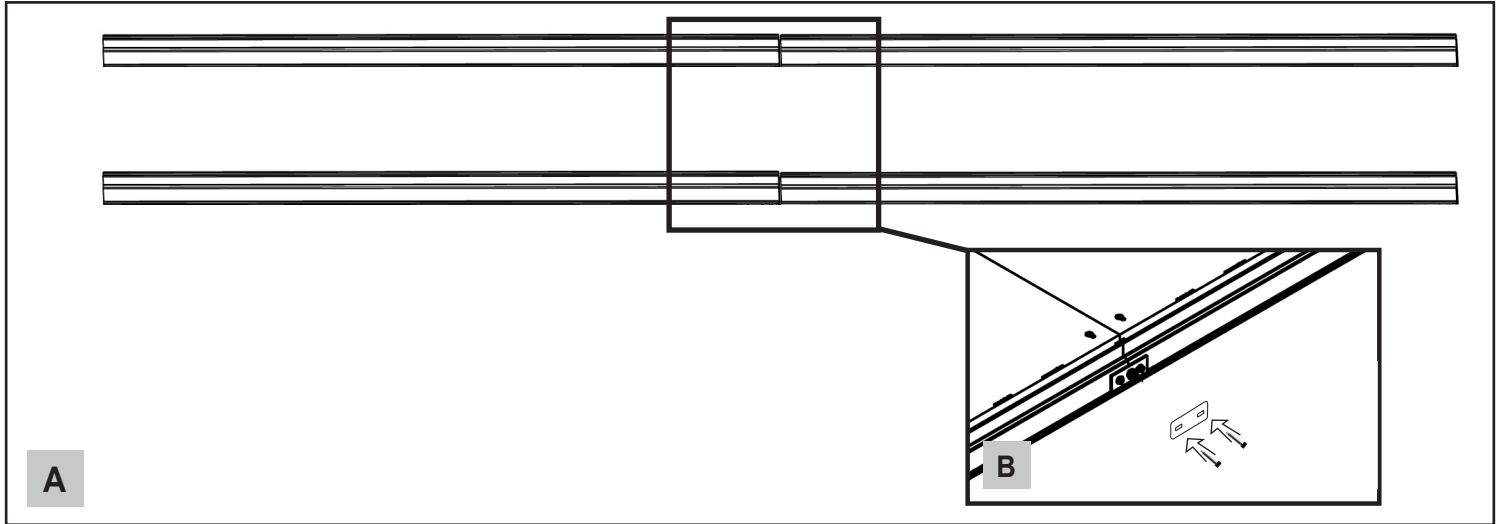
Connector Plate x2



Self Tapping Screw x4

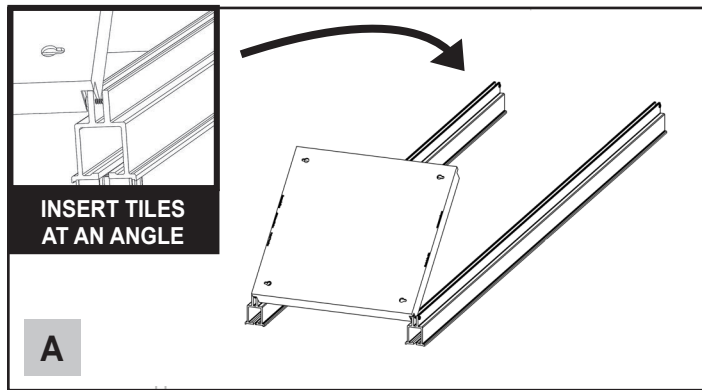
TO LEARN MORE

VISIT US AT WEARWELL.COM/FOUNDATION

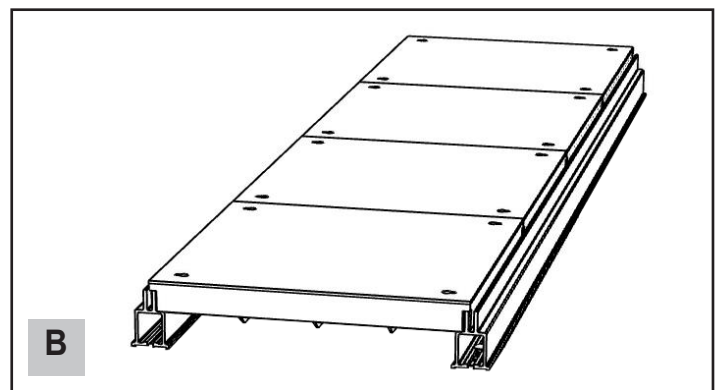


Lay out leg/beams end to end and using a power screwdriver, insert the self-tapping screws through the connector plate on each set of beams and secure.

STEP 2 INSTALL THE TILES



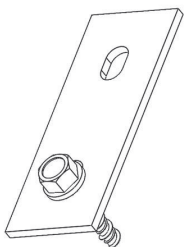
Install the first tile at a 90° angle pressing it against the lock screw.



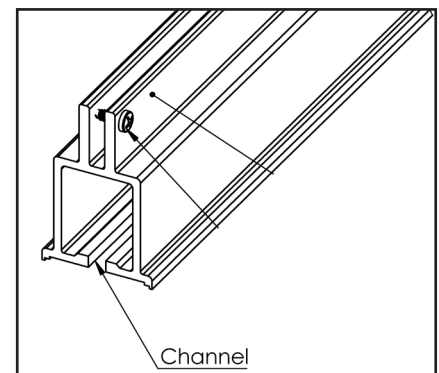
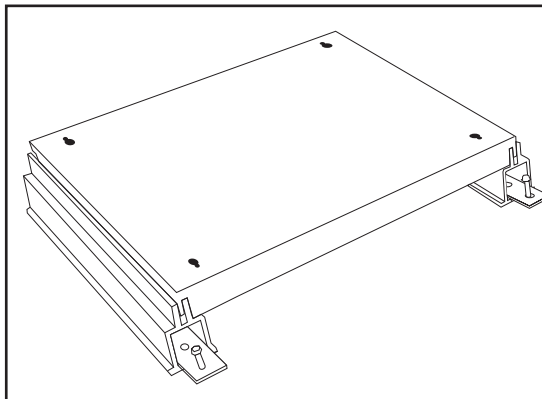
Continue with each tile, tapping each with a rubber mallet so that it fits tightly against the previous. Repeat for additional platforms.

STEP 3 OPTIONAL - ANCHOR THE PLATFORM

YOU WILL NEED



F1 Beam Anchor Kit



Channel

Place the plate into the beam with approximately 1.5" (4 cm) sticking out. Make a mark on the floor that aligns with the hole in the plate. Remove plate and with the 3/16" (5 mm) concrete drill bit drill a hole to a depth of 2" (5 cm), making sure to keep the bit perpendicular to the floor. Vacuum or sweep the debris and replace the plate before screwing the anchor into the hole. Do not overtighten.

TO LEARN MORE VISIT US AT WEARWELL.COM/FOUNDATION